



Hermetic Door Solutions

Fully Hermetic

Easily automated

Long product life cycle

Completely certified

HOSPITALS | LABORATORIES | PRODUCTION FACILITIES | CINEMAS AND THEATRES



UNIQUE TECHNOLOGY

Superb Quality

Silent in use

Sliding for hygiene

S5 HERMETIC DOOR

Surrounding hermetic sealing

Unique track concept pushing the doorpanel against the wall and allows it to drop to the floor

Simple and effective design which makes full hermetic use of the doorpanel



STRICT HYGIENE

By only making use of sliders, particle movement will be kept to a bare minimum

Short opening and closing times further add to a hygienic door position



S5 ACOUSTIC QUALITIES

Hermetic closing naturally results in a significant sound reduction

The aluminium profile cassette of the door panel allows an enormous variety of acoustic materials

Sound reduction can go up to 34 dB in a relatively standard door solution

Acoustic range: 27-32 dB

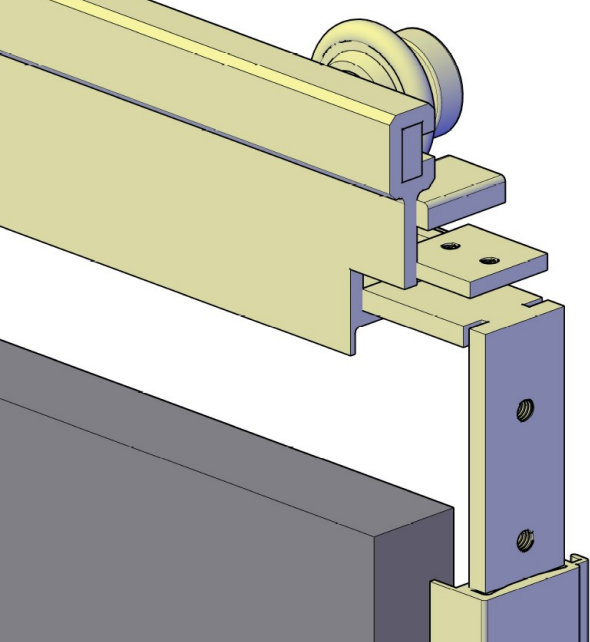
Specials will deal with a sound reduction of: 37 dB, 40 dB, 45 dB and 50 dB

AUTOMATION

Compatible with most automations

Slanting canopy in order to prevent layers of dust

Automations with all safety features, including: infrared, clean scan, openers and automatic reset



KEY FEATURES

Hermetic
 Sliding
 Flexible
 Automation
 Certified
 Dimensions 2400 x 1850 mm
 Doorpanel Standard HPL

COLOUR CHART

 RAL 1002 Sand Yellow	 RAL 1023 Traffic Yellow	 RAL 1037 Sun Yellow	 RAL 3001 Signal Red
 RAL 5005 Signal Blue	 RAL 5012 Light Blue	 RAL 6000 Patina Green	 RAL 6019 Pastel Green
 RAL 7037 Dust Grey	 RAL 7074 Telegrey 4	 RAL 9010 Pure White	 RAL 9022 Pearl Light Grey

TYPE OF DOORS

- 01 : Operating room door (surrounding seal)
- 02 : Acoustic doors (layers)
- 03 : Radiation door
- 04 : Full glass door
- 05 : Stainless steel door
- 06 : Double doors

QUALIFICATIONS

- EN 16005
- DIN 18650-1,-2
- IEC 61508-2
- EN ISO 13849-1
- DIN EN 60335-1
- EN 60335-2-103
- ANSI/UL 1784: 1997
- B1224

Automation Options

Portalp Diva
 Portalp Tina
 Dormakaba ES400
 KCS



Hygenix Ireland Ltd
 Unit 1 Beech Road
 Kilbride
 Arklow
 Co Wicklow

